



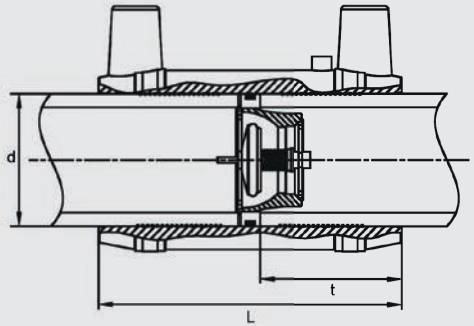
Product data sheet

FRIASTOP

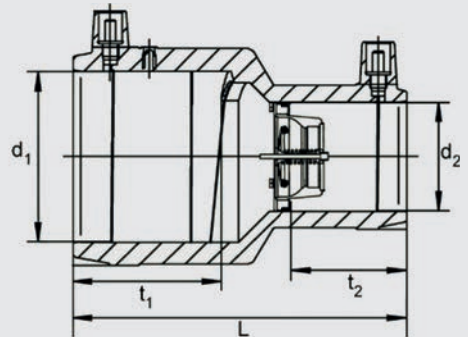
- Dimensions $\frac{3}{4}$ IPS, 1 CTS, 1 IPS, $1\frac{1}{4}$ IPS, 2 IPS, 1 CTS – $\frac{1}{2}$ CTS (Reducer)
- Material PE 3408 / PE 4710
- For application up to 125 psi (gas)
- Complies with ASTM F-2138 and ASTM F-1802 (Excess Flow Valve)
- Complies with ASTM F-1055 (Coupler/Reducer)
- This data sheet is part of the technical documentation of this product and is supplied with an installation manual packed to every FRIASTOP



FRIASTOP FRIALEN electrofusion couplers and reducers with integrated Mertik Maxitrol excess flow valve (EFVB)



d	Type	Order Ref	Stock-status	BX	PU	L	t	Operating pressure range $p_{\min} - p_{\max}$	V_N ft ³ /h	Weight kg/each
3/4 IPS	B-EFVB	616331	1	60	3000	2.6	1.2	2 - 125 psi	556 - 1610	0.066
1 CTS	B-EFVB	616332	1	30	1500	3.1	1.4	2 - 125 psi	556 - 1610	0.077
1 IPS-B	B-EFVB	616333	1	30	1500	3.1	1.4	2 - 125 psi	927 - 2683	0.096
1 IPS-Z	Z-EFVB	617481	1	30	1500	3.1	1.4	2 - 125 psi	334 - 967	0.089
1 1/4 IPS	B-EFVB	616357	1	40	1280	3.3	1.6	2 - 125 psi	1391 - 4024	0.155
2 IPS	B-EFVB	617028	1	20	720	4.45	2.12	2 - 125 psi	3941 - 11401	0.584



d_1	d_2	Type	Order Ref	Stock-status	BX	PU	L	t_1	t_2	Operating pressure range $p_{\min} - p_{\max}$	V_N ft ³ /h	Weight kg/each
1 CTS	1/2 CTS	B-EFVB	616358	1	75	2490	3.5	1.50	1.20	2 - 125 psi	408 - 1180	0.081

- $p_{\min} - p_{\max}$: min. – max. operating pressure, i.e. incoming pressure.
- V_N : nominal flow for $p_{\min} - p_{\max}$, related to natural gas (relative density $d = 0.6$) in standard condition (atmospheric pressure 30" mercury column (101.325 kPa), temperature 59°F (15 °C)) in ft³/h.
- Type B-EFVB: Mertik Maxitrol with bypass orifice.
- Maximum bypass flow volume: 5 standard ft³/h (0.14 m³/h) at 10 psi (69 kPa).

Data Excess Flow Valve

Type Designation



Nominal Flow Rate Vgas

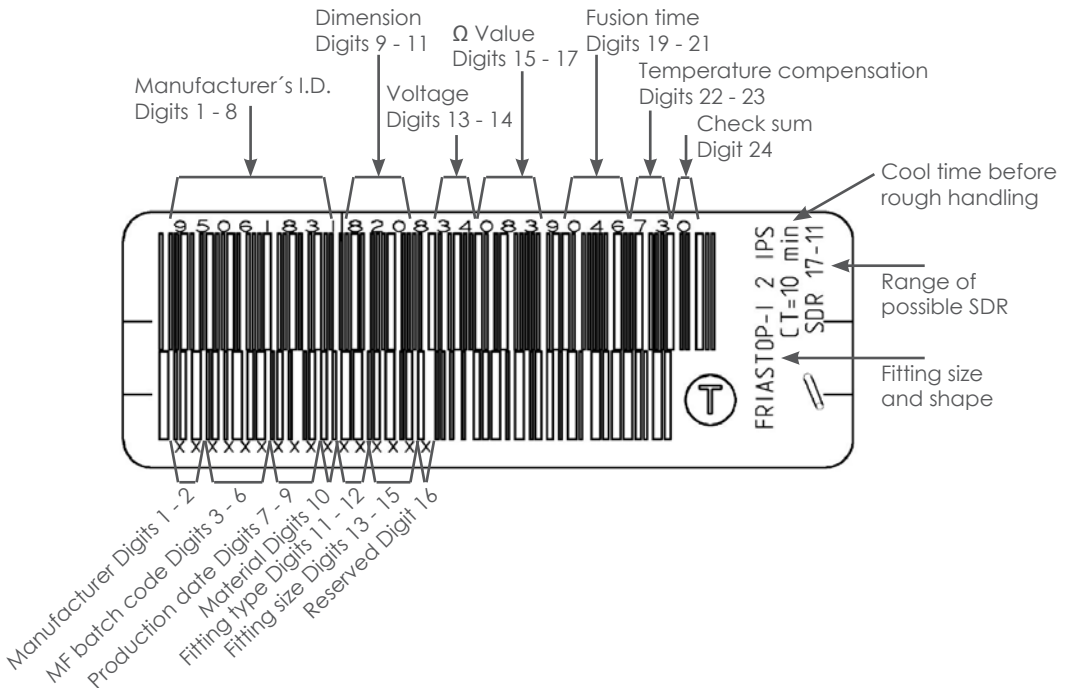
Operating Pressure

 Manufacturing Date
 e.g. 29=week
 20=year

Dimension	Type Designation	Nominal Flow Rate Vgas (10 psi)
1 CTS - 1/2 CTS	GS15BT12DH	500ft ³ / h
3/4 IPS	GS20BM14DH	680ft ³ / h
1 CTS	GS20BM12DH	680ft ³ / h
1 IPS-B	GS25BM14DH	1100ft ³ / h
1 IPS-Z	GS20ZM15DH	410ft ³ / h
1 1/4 IPS	GS32BM14DH	1700ft ³ / h
2 IPS	GS50EM14DH	4800ft ³ / h

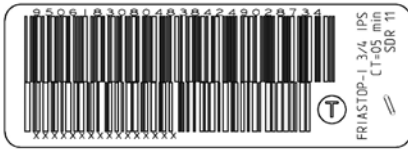
Barcode Label

- Upper Barcode: ISO 13950 Universal Programming Code
- Lower Barcode: ASTM F-2897 Tracking and Traceability Code

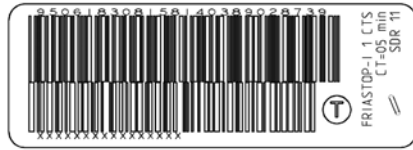


Barcode Label FRIASTOP

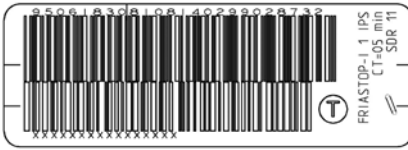
FRIASTOP coupler 3/4 IPS



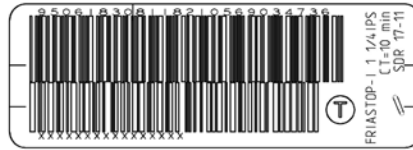
FRIASTOP coupler 1 CTS



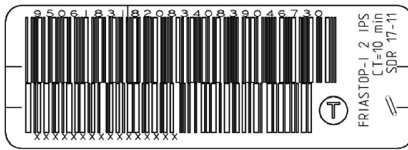
FRIASTOP coupler 1 IPS



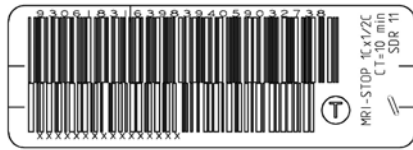
FRIASTOP coupler 1 1/4 IPS



FRIASTOP coupler 2 IPS



FRIASTOP reducer 1 CTS - 1/2 CTS



Aliaxis Deutschland GmbH

Infrastructure

Steinzeugstraße 50

68229 Mannheim, Germany

T +49 621 486-2238

info.de@aliaxis.com

www.aliaxis.de

